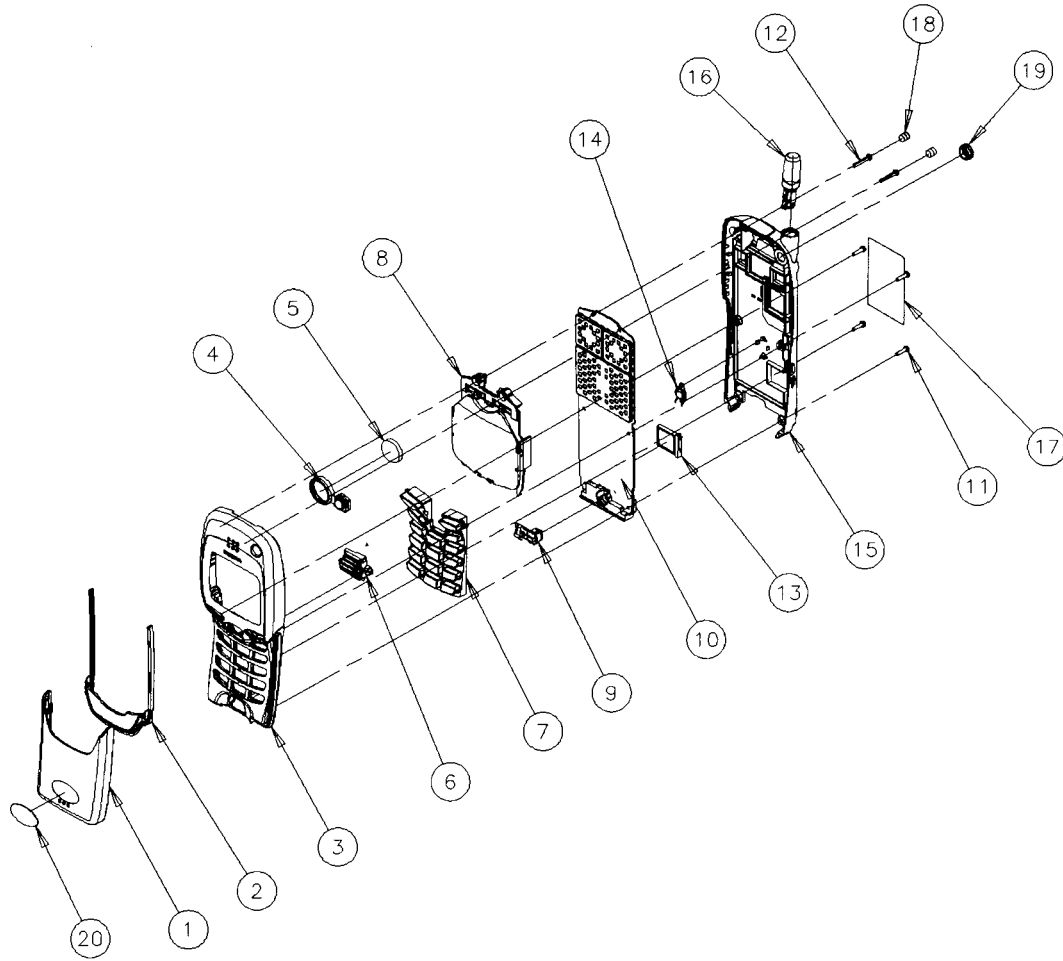


Programmes After Market Services Transceiver NSB-5

Mechanical Assembly

Exploded View of NSB-5



Assembly Parts

1	1	9497009	Slide Assembly
2	1	9500065	Metal Slide
3	1	9451486	A-cover Assembly
4	1	9790354	Power Keymat
5	1	5140067	Speaker
6	1	5200013	Roller Key
7	1	9794014	Keymat Module
8	1	9480401	Display Assembly
9	1	5200017	Slide Sensor Switch
10	1	0201192	PCB Assembly
11	4	6290073	Screw (4x)
12	2	6290079	Screw (2x)
13	1	5140123	Buzzer
14	1	4700057	RTC Battery
15	1	9456326	B-cover Assembly
16	1	066P001	DCT3.5 Antenna
17	1		Type Label
18	2	9460299	Rubber Plug (2x)
19	1	9451139	Dust Cap
20	1		OEM Badge